

## Power Injector I-Sense for PQI-DA smart and PQI-DE

Plug-in solution for power supply of feeder measurement technology for measuring AC currents via Rogowski coils

Art. no.:

- 111.7080.15.3



### 1. Use

I-Sense allows additional current measurements to be made by a PQI-DA Smart and PQI-DE, such as for measuring additional feeders. Multiple I-Sense devices can be daisy-chained with a RJ45 cable that conveniently provides both power and data needs.

An injection unit is used between the PQI-DA Smart/PQI-DE and the first I-Sense device, to couple a 24 Vdc supply into the data feed. It features:

- Flying lead for connection to separate 24 Vdc supply.
- RJ45 socket for RJ45 patch connection to the first I-Sense device.
- Phoenix connector to plug directly into PQI-DA smart/PQI-DA RS-485 COM 1 port

### 2. Electrical properties

Load capacity:	max. 16 x I-Sense
Power supply	+24 V DC via open cable ends

### 3. General properties

Cable length:	Socket to plug (master unit) approx. 30cm Socket to cable ends (power supply unit) Approx. 55cm
Temperature range, operation:	-20 to +60 C°
Temperature range, storage:	-40 to +70 C°
Humidity, operation:	15% to 85% (no condensate)
Weight:	150g

We'll sort it out.

## 4. Connection



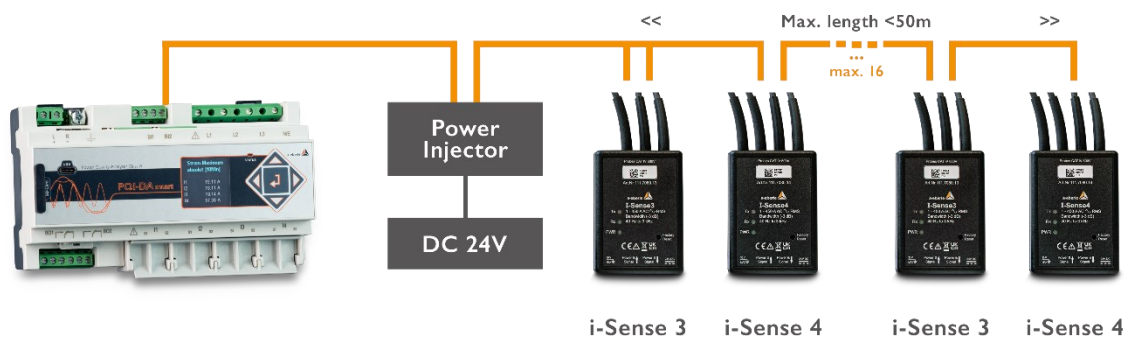
Connector on master    Socket on slave side

Pin	Description Phoenix connector	Description RJ45 socket
1		
2		
3	GND	
4		Modbus B
5		Modbus A
6	Modbus B	
7	Modbus A	+24V
8	Not available	GND

The power supply is provided via the wire ends fitted with wire end ferrules.

Core colour	Supply voltage
White	+24V
Brown	GND

With the help of the adapter, the connection to the I-Sense is established on one side of the socket and to the device (COM) of the PQI-DA smart / PQI-DE on the other. By "chaining" via the RJ45 socket, up to 16 devices/outlets can be supplied with power.



We'll sort it out.

---

## 5. Ordering information

Accessories	IDENT no.
<ul style="list-style-type: none"><li>● <b>DIN rail power supply 10W</b>, 90 → 264V ac, 24V dc / 400mA, HxWxD: 91mm x 18mm x 57,5mm"</li></ul>	<b>111.7080.15.2</b>
<ul style="list-style-type: none"><li>● <b>Power injector I-Sense PQI-DA smart / PQI-DE</b>; adapter cable to be able to supply the I-Sense units via a power supply unit using patch cables.</li></ul>	<b>111.7080.15.3</b>

### A. Eberle GmbH & Co. KG

Frankenstraße 160  
D-90461 Nuremberg

Phone: +49 (0) 911 / 62 81 08-0

Fax: +49 (0) 911 / 62 81 08 96

E-mail: [info@a-eberle.de](mailto:info@a-eberle.de)

<http://www.a-eberle.de>

Version: 29.01.2024 09:16

Copyright 2023 by A. Eberle GmbH & Co. KG

Subject to change without notice.